

SPHINX 104-360/2 DIMplus

Item no.: 1040374

theben
energy saving comfort

Presence and motion detectors Indoor detectors

Description

- Presence detector (PIR)
- 2 channels for application areas class and conference rooms
- Flush-mounted installation
- Channel 2 presence dependent, e.g. for blackboard lighting with programmable switch-off delay or for HVAC control
- Channel 1 for constant light control (1-10 V)
- Lighting control with adjustable light threshold value and adjustable switch-off delay
- Additional pulse function can be selected for combination with staircase timer (ELPA), building automation or PLC
- Test function for checking detection area
- Zero-cross switching
- Automatic lighting control based on presence and brightness
- Detection area can be limited using three enclosed segments
- Mixed light measurement suitable for the control of fluorescent, incandescent and halogen lamps
- Instant start-up possible via factory preset
- Push-button or for manual switching
- Fully or semi-automatic: In "Fully automatic" mode, the lighting switches on and off automatically according to presence and light In "Semi-automatic" mode, it must be switched on manually and it switches off automatically



Technical data

SPHINX 104-360/2 DIMplus		SPHINX 104-360/2 DIMplus	
Operating voltage	230 V AC	Presence switch-off delay	1 – 120 min
Frequency	50 – 60 Hz	Incandescent/halogen lamp load	1000 W
Stand-by consumption	~1 W	Incandescent lamp load channel presence)	400 W
Light measurement	Mixed light measurement	Fluorescent lamp load (conventional) not corrected	900 VA
Number of channels	2	Fluorescent lamp load (conventional) not corrected (channel presence)	200 VA
Type of contact	NO contact	Fluorescent lamp load (conventional) series-corrected	900 VA
Colour	White	Fluorescent lamp load (conventional) series-corrected (channel presence)	200 VA
Switching output	Light Presence	Fluorescent lamp load (electronic ballast)	400 VA
Installation type	Ceiling installation	Fluorescent lamp load (electronic ballast) (channel presence)	60 VA
Setting range brightness	5 – 2000 lx	Energy saving lamps	4 x 7 W, 3 x 11 W, 3 x 15 W, 3 x 20 W, 3 x 23 W
Switching capacity	4 A at 230 V AC, cos ϕ = 1		
Switching capacity presence	2 A (cos ϕ = 1) μ , 250 V AC/30 V DC		
Detection angle	360°		
Installation height	2.5 – 3.5 m		
Switching output	Not potential-free (230 V)		
Switching output channel presence	Potential-free		
Light switch-off delay	1 s – 20 min		

Subject to technical changes and misprints

additional information at: www.theben.de/product/1040374

The load data are determined with exemplary selected illuminants and are therefore typical data due to the large number of available products.

30/09/2020

Page 1 of 4

SPHINX 104-360/2 DIMplus

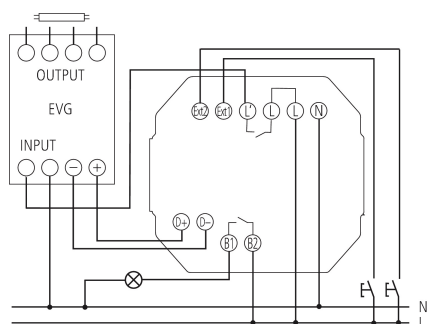
Item no.: 1040374

theben
energy saving comfort

Technical data

SPHINX 104-360/2 DIMplus		SPHINX 104-360/2 DIMplus	
Energy saving lamps (channel presence)	2 x 7 W, 2 x 11 W, 1 x 15 W, 1 x 20 W, 1 x 23 W	Detection range	452 m ² (ø 24 m 360°)
LED lamp < 2 W	25 W	Remote controlled	✓
LED lamp 2-8 W	90 W	Ambient temperature	-10°C ... 55°C
Lamps	Incandescent/halogen lamps, fluorescent lamps, Energy saving lamps, LEDs	Protection class	II
		Type of protection	IP 40

Connection example



Detection range for planning applications

Mounting height (A)	Walking (T)	Sitting (S)
2 m	18 m	4 m
2.5 m	24 m	6 m
3 m	24 m	6 m
3.5 m	26 m	8 m
4 m	24 m	6 m

Subject to technical changes and misprints

additional information at: www.theben.de/product/1040374

The load data are determined with exemplary selected illuminants and are therefore typical data due to the large number of available products.

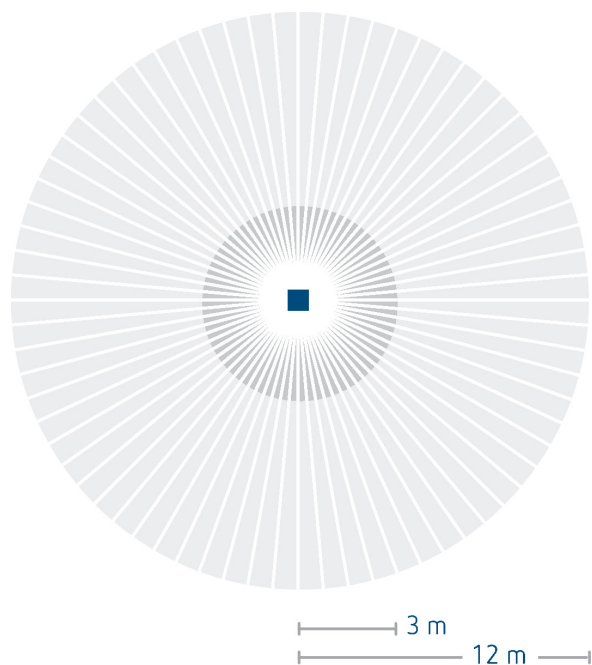
30/09/2020

Page 2 of 4

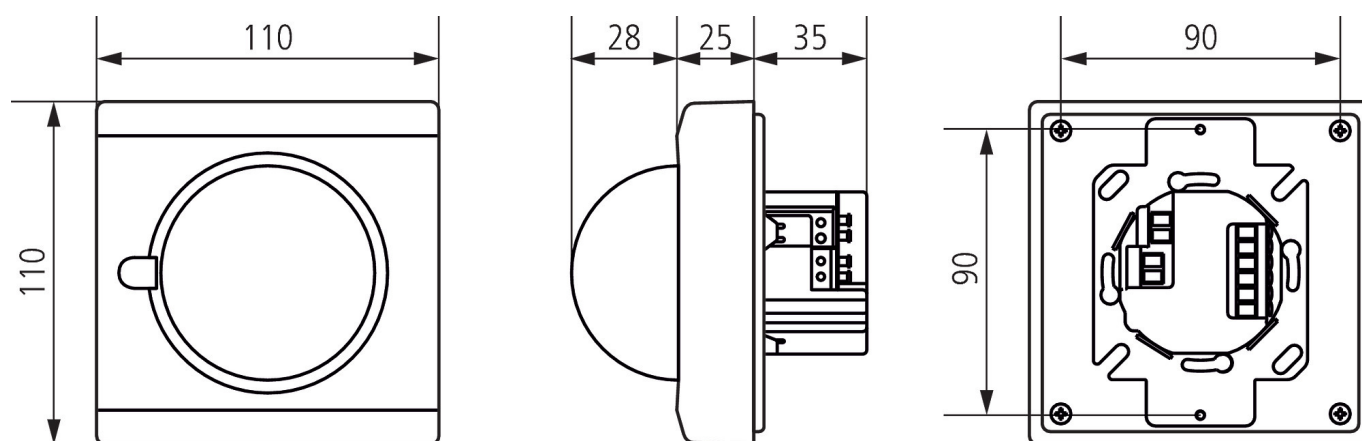
SPHINX 104-360/2 DIMplus

Item no.: 1040374

Detection range for planning applications



Scale drawings



Subject to technical changes and misprints

additional information at: www.theben.de/product/1040374

The load data are determined with exemplary selected illuminants and are therefore typical data due to the large number of available products.

SPHINX 104-360/2 DIMplus

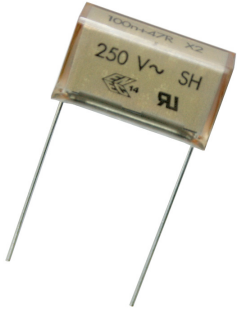
Item no.: 1040374

theben
energy saving comfort

Accessories

RC filter

Item no.: 9070523



Subject to technical changes and misprints

additional information at: www.theben.de/product/1040374

The load data are determined with exemplary selected illuminants and are therefore typical data due to the large number of available products.

30/09/2020

Page 4 of 4